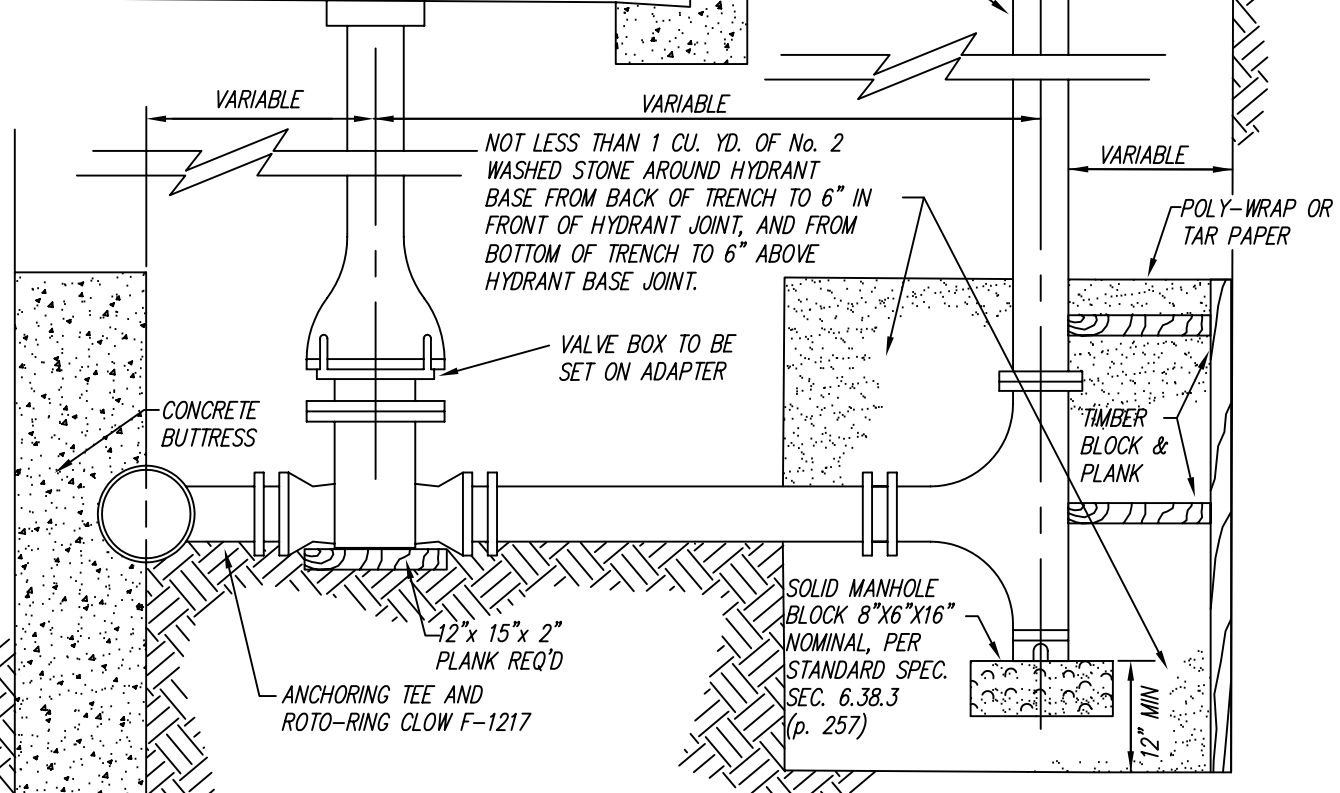
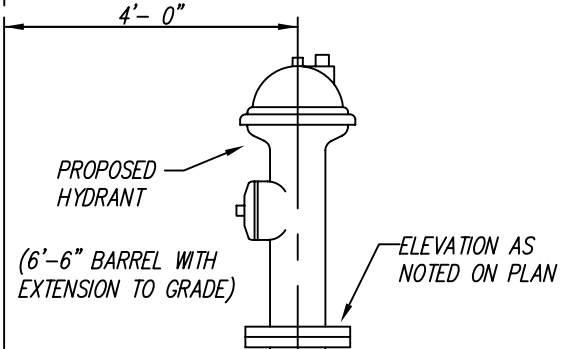


NOTE:
ALL HYDRANTS SHALL INCLUDE A SNOW PLOW MARKER,
SHERWIN INDUSTRIES MODEL S-11, OR EQUAL.

NOTE:
HYDRANT LEAD SHALL BE LAID ON NATURAL UNDISTURBED
SOIL. COVER AND BACKFILL MATERIAL SHALL COMPLY
WITH WATERMAIN SPECIFICATIONS. ALL JOINTS
BETWEEN TEE AND VALVE SHALL BE RESTRAINED.
HYDRANT LEAD SHALL BE POLYETHYLENE WRAPPED THROUGHOUT.

MATERIAL SPECIFICATIONS:
PIPE SHALL BE MADE OF D.I.P., CL. 52
OR P.V.C., CL. 200, DR. 14.



City of Oak Creek
Department of Public Works

Drawn By: K.C. Seufzer

Scale: Not to Scale

Appv. By: M.J. Sullivan

Date: January 19, 2004

TYPE "A" HYDRANT SETTING DETAIL

WD-13