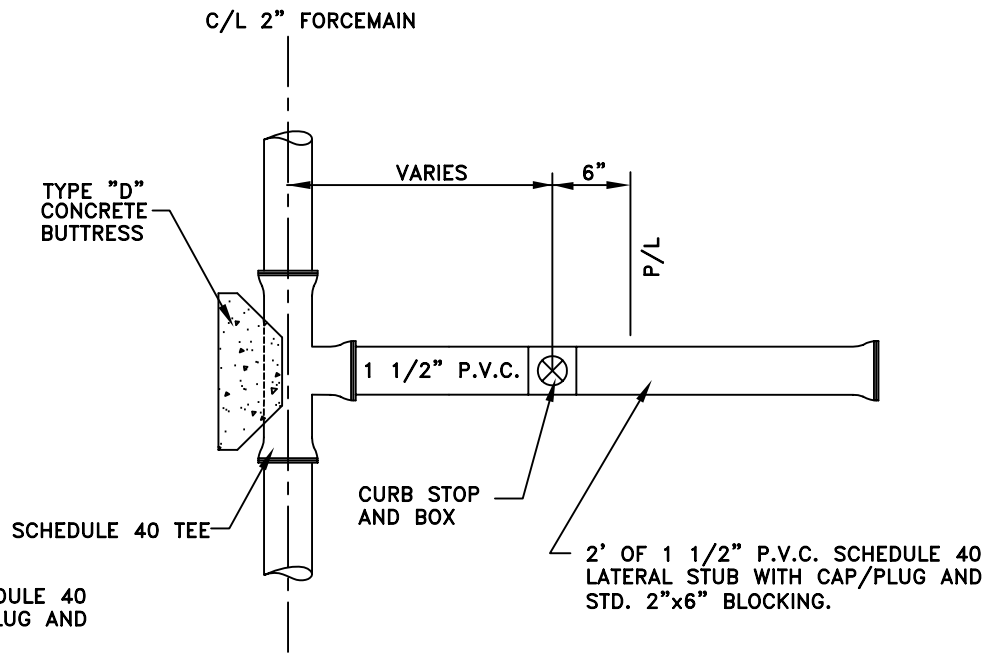


LATERAL STUB



LATERAL

SANITARY FORCEMAIN LATERAL DETAILS

N.T.S.

NOTE: COST OF PLUG AND CONCRETE BUTTRESS INCIDENTAL TO LATERAL AND LATERAL STUB INSTALLATIONS.



City of Oak Creek
Department of Public Works

Drawn By: S.A.G.

Scale: N.T.S.

Appv. By: M. Sullivan

Date: June, 1997

LATERAL FOR GRINDER PUMP SYSTEM

SS-19