

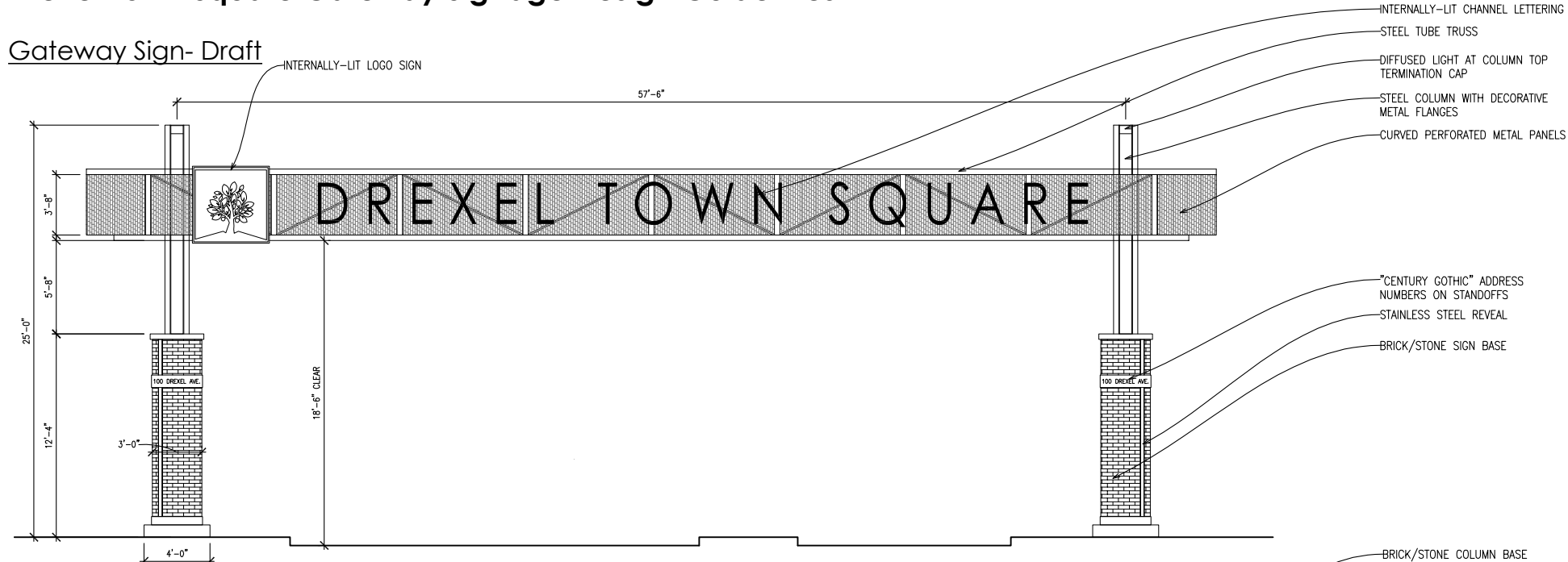


SIGNAGE MAP KEY

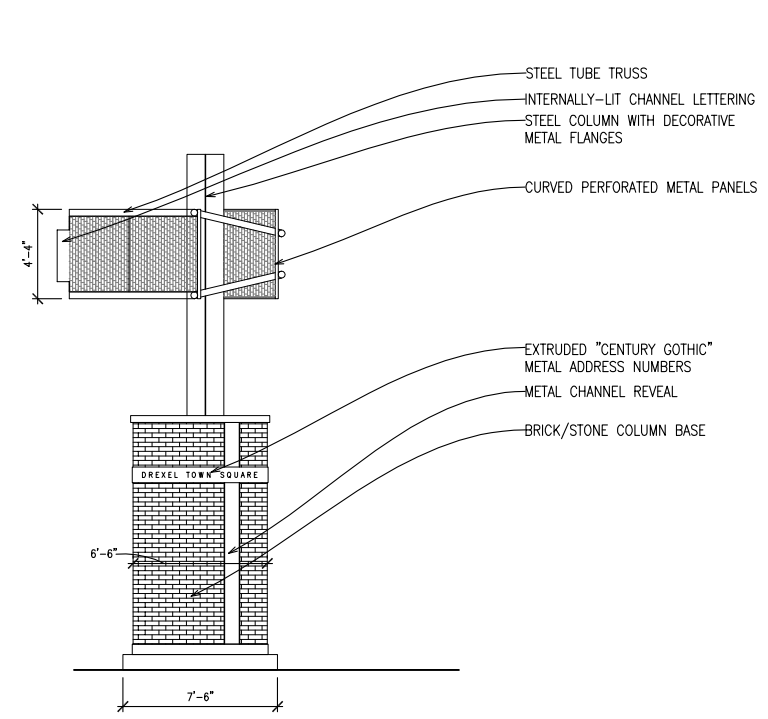
A	LOCATION MONUMENT SIGN "A"
B	LOCATION MONUMENT SIGN "B"
C	LOCATION MONUMENT SIGN "C"
G	LOCATION OF GATEWAY SIGN
W	LOCATION OF WAYFINDING SIGNAGE

Drexel Town Square Gateway Signage Design Guidelines

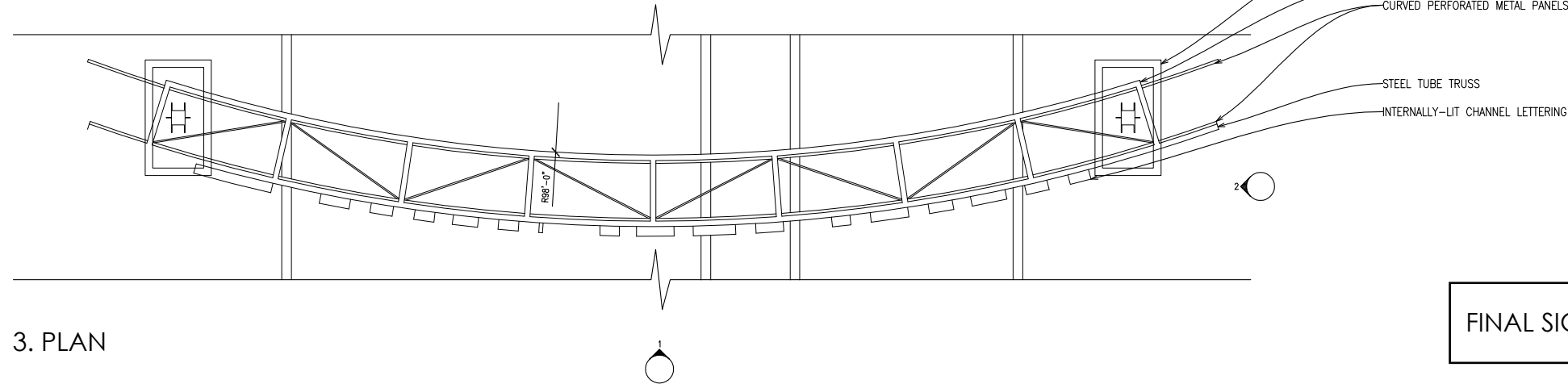
Gateway Sign- Draft



1. FRONT ELEVATION



2. SIDE ELEVATION



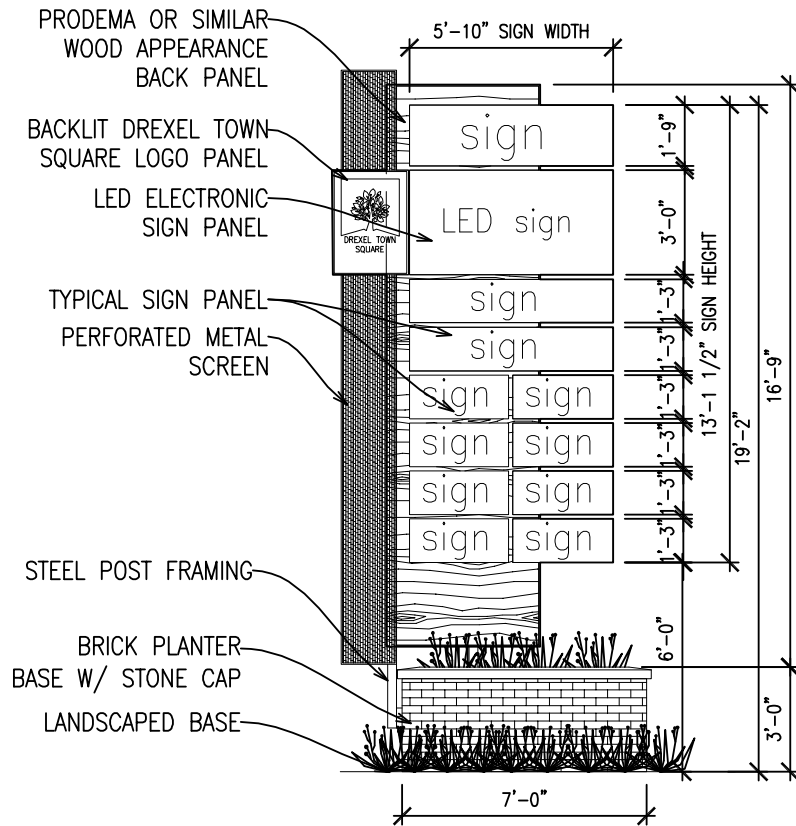
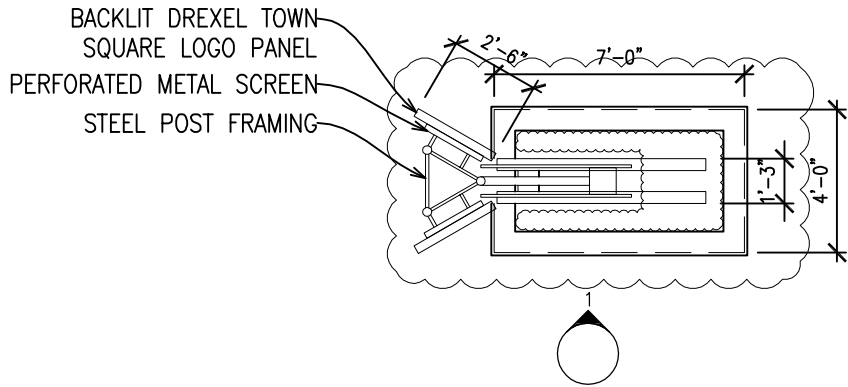
3. PLAN

FINAL SIGN DETAILS, LIGHTING, AND SPECIFICATIONS BY SELECTED SIGN VENDOR (TBD).



Drexel Town Square Monument Signage Design Guidelines

Development Monument Sign A Location- Draft



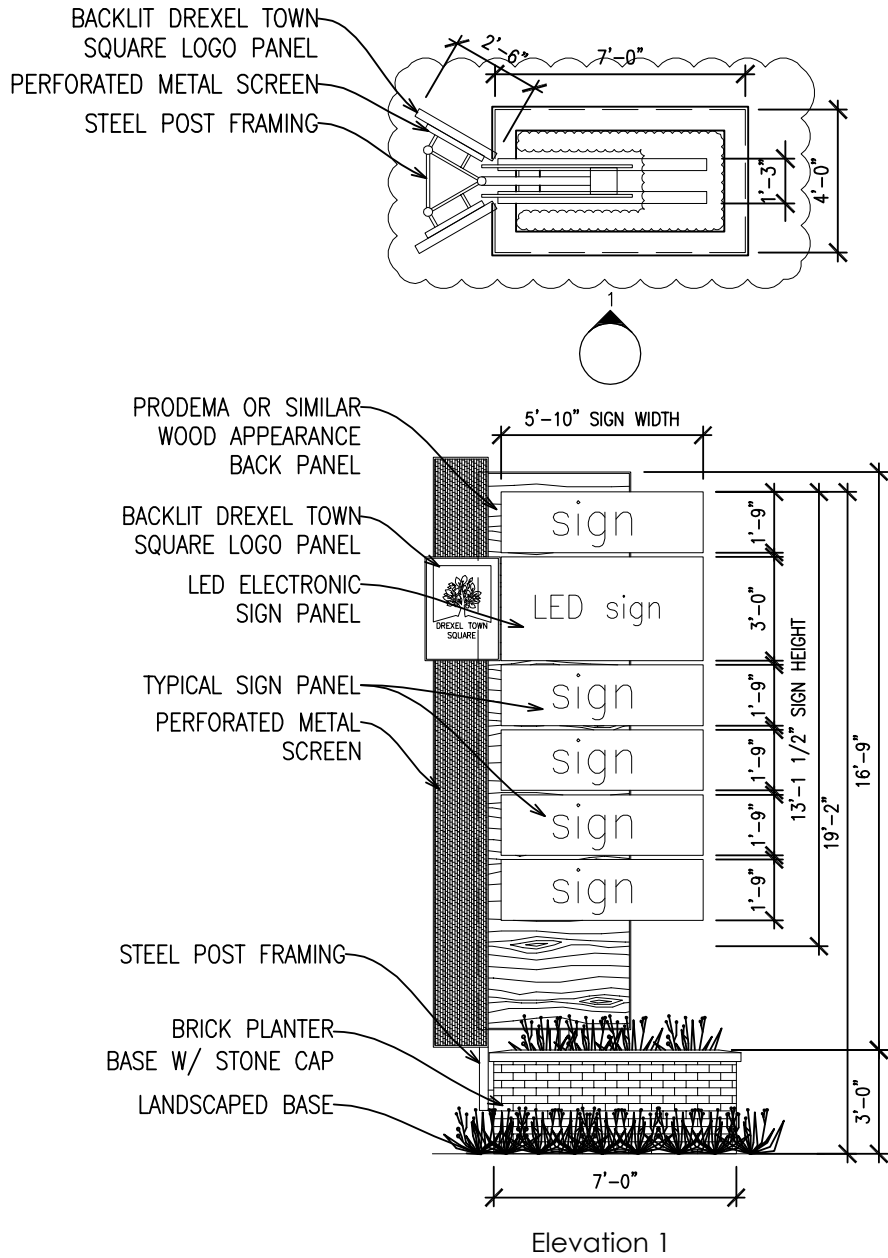
Elevation 1

FINAL SIGN DETAILS, LIGHTING, AND SPECIFICATIONS BY SELECTED SIGN VENDOR (TBD).

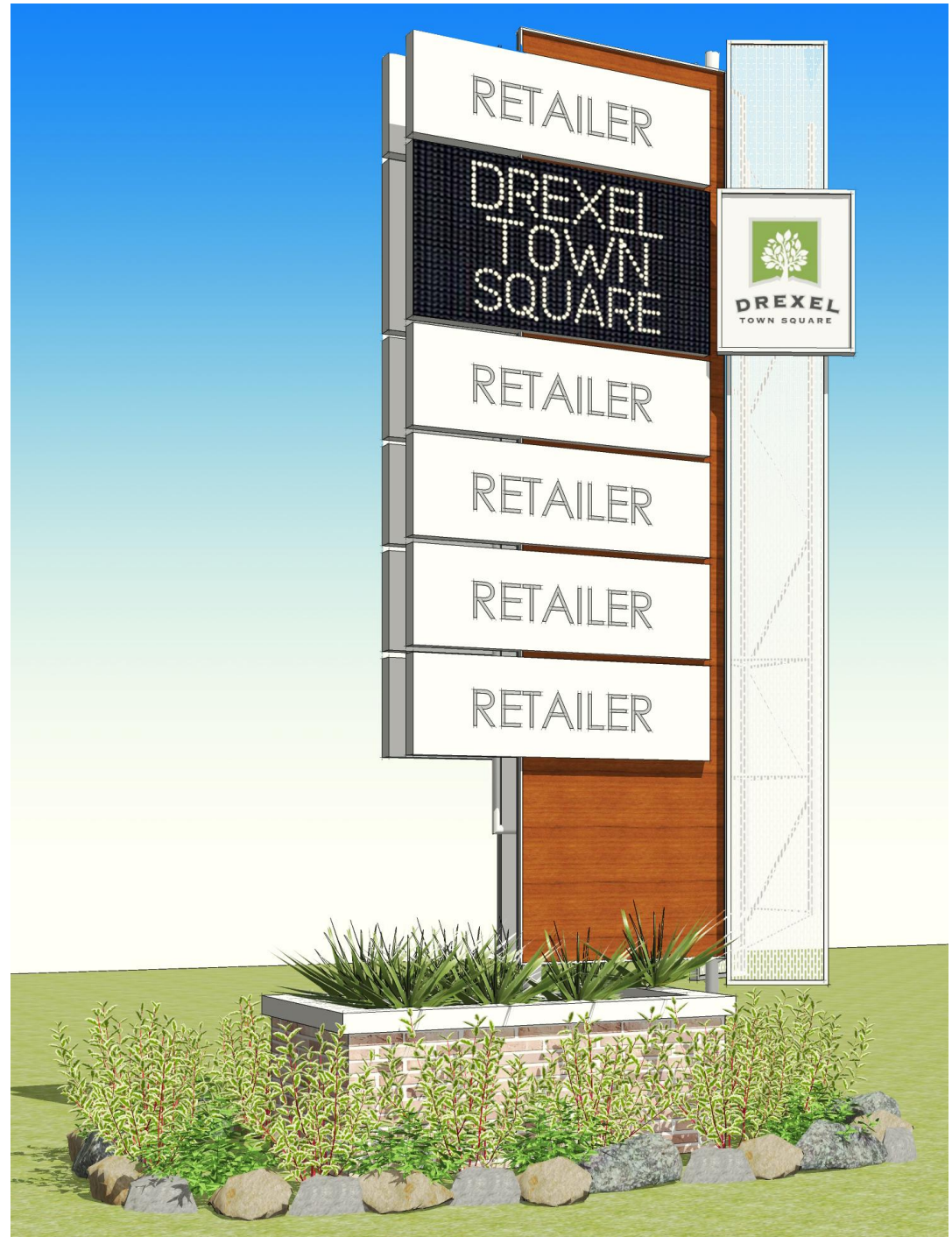


Drexel Town Square Monument Signage Design Guidelines

Development Monument Sign B and C Location- Draft

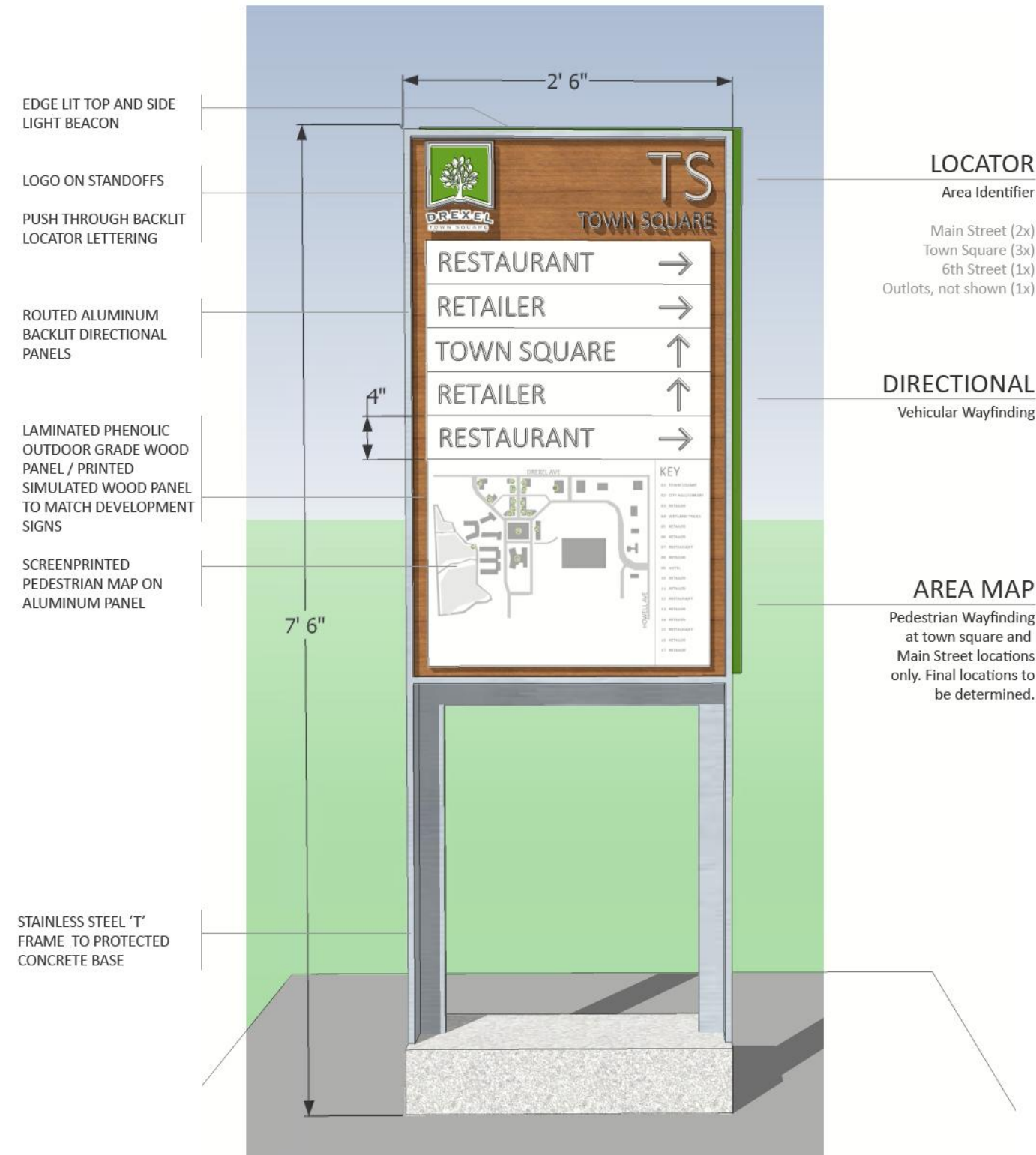


FINAL SIGN DETAILS, LIGHTING, AND SPECIFICATIONS BY SELECTED SIGN VENDOR (TBD).



Drexel Town Square Monument Signage Design Guidelines

Wayfinding Sign- Draft



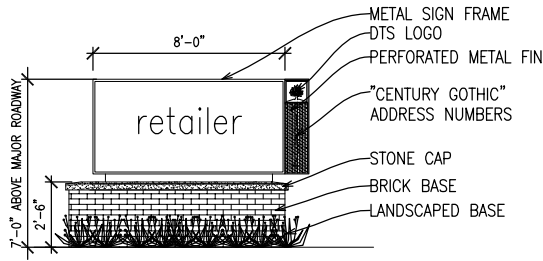
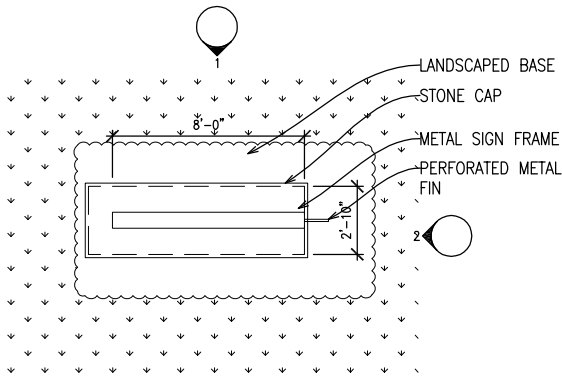
FINAL SIGN DETAILS, LIGHTING, AND SPECIFICATIONS BY SELECTED SIGN VENDOR (TBD).



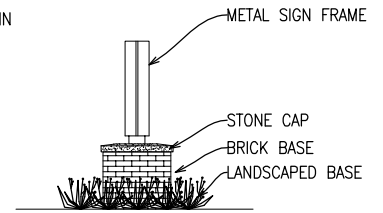
Drexel Town Square Monument Signage Design Guidelines

Individual Monument Sign- Primary- Draft

Preferred dimensions:



Elevation 1

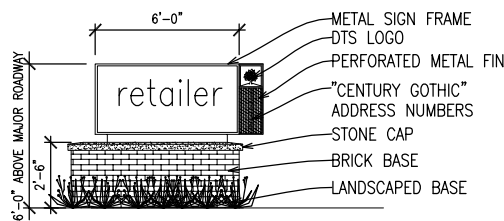
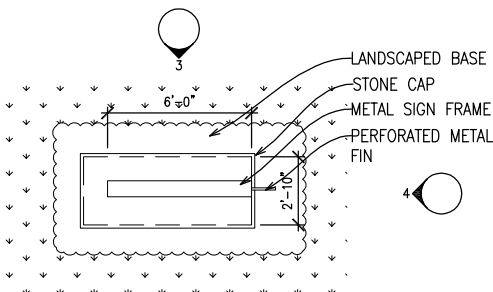


Elevation 2

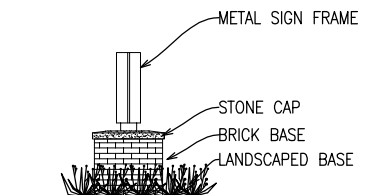


Individual Monument Sign- Secondary

Preferred dimensions:



Elevation 3



Elevation 4

FINAL SIGN DETAILS, LIGHTING, AND SPECIFICATIONS BY SELECTED SIGN VENDOR (TBD).